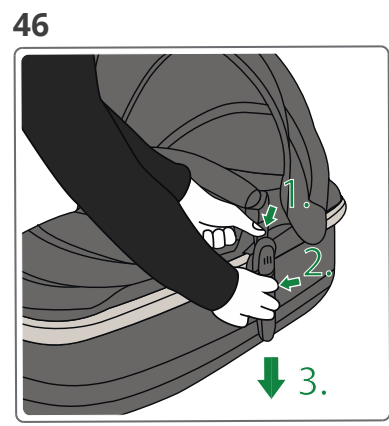
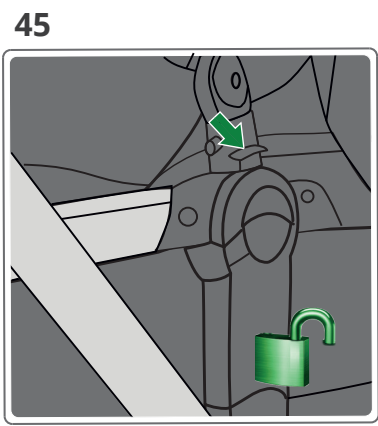




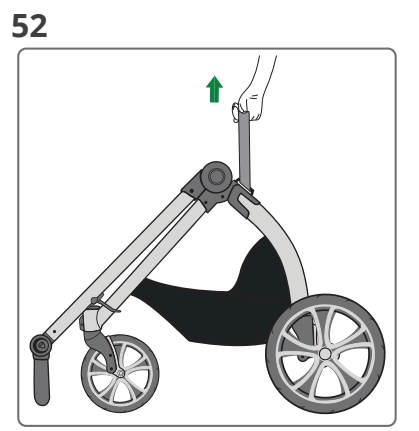
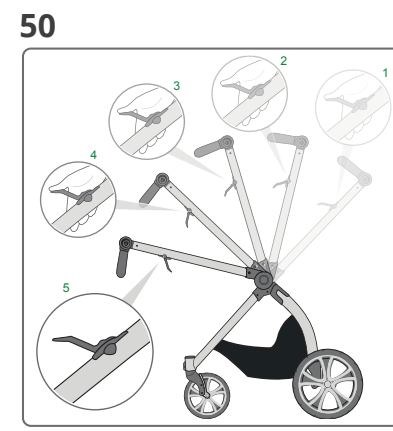
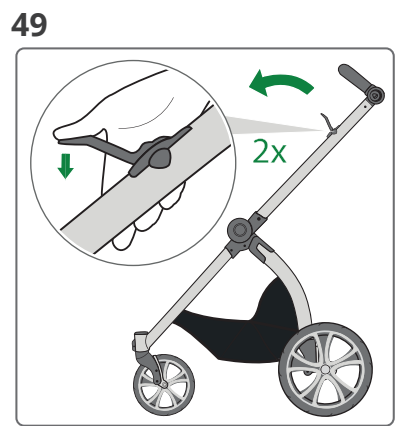
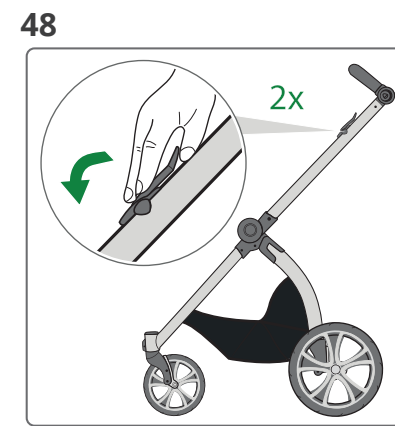
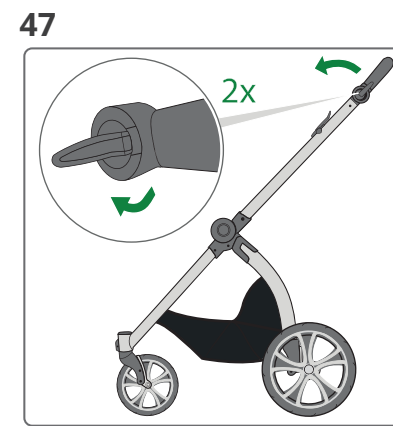
34-46

INDY



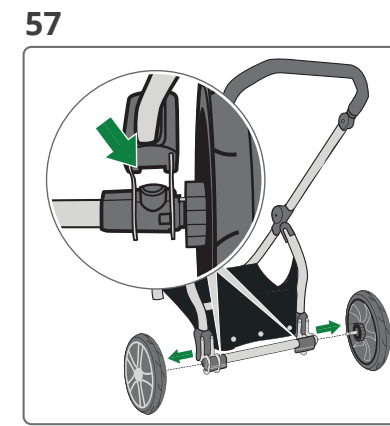
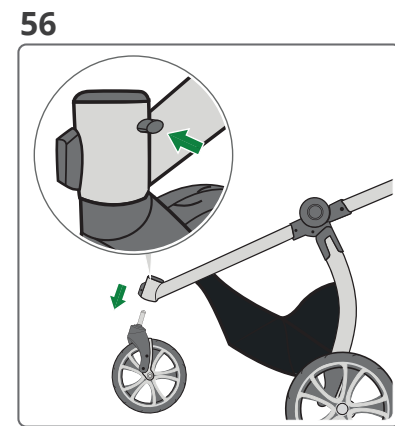
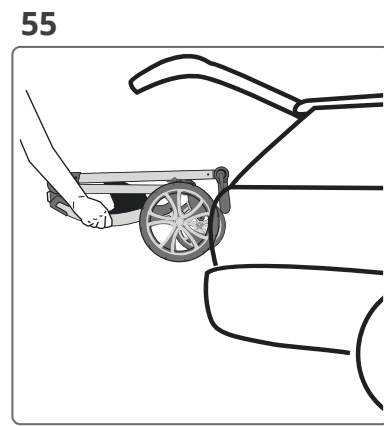
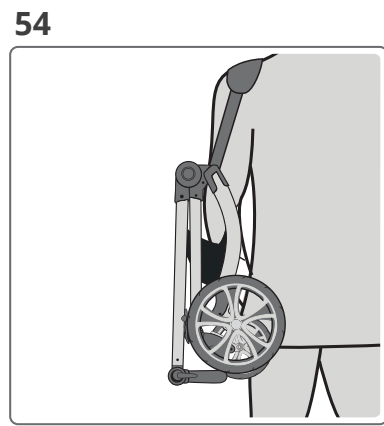
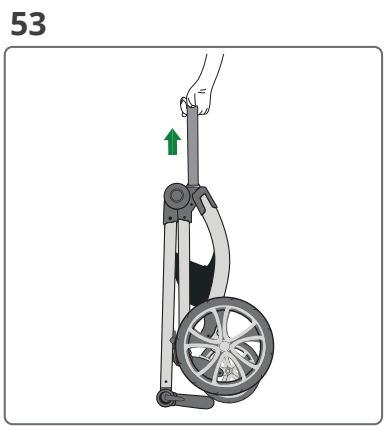
47-55

INDY



47-55

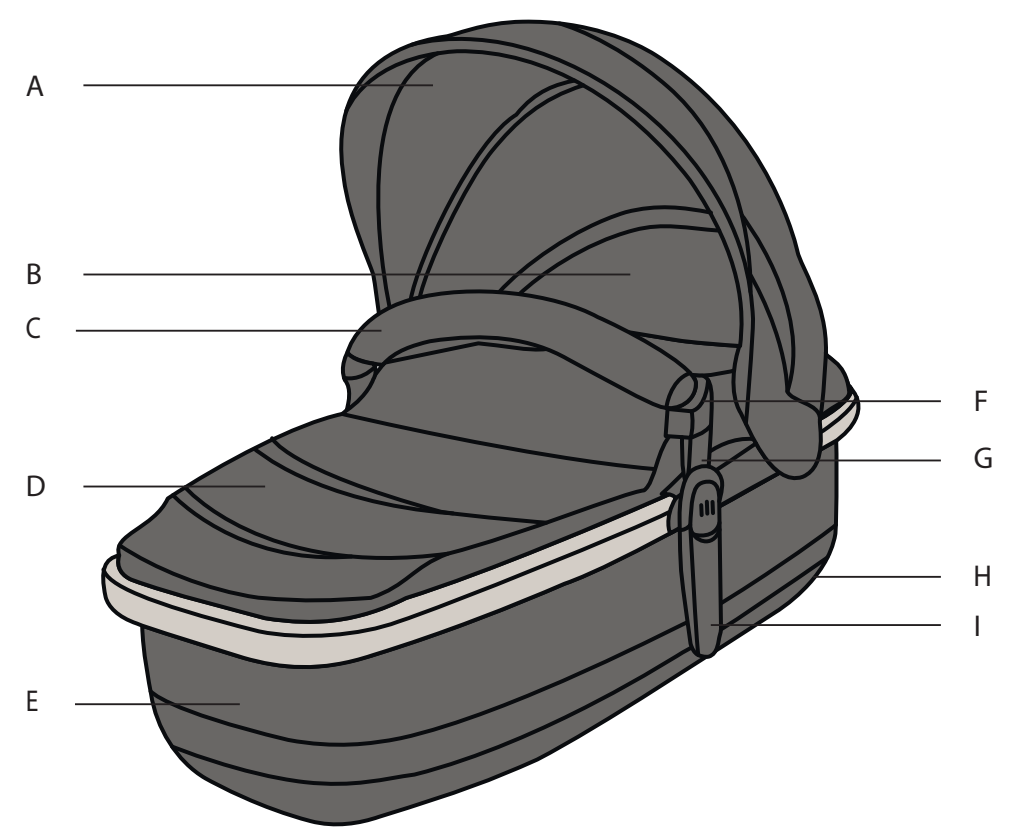
INDY



INDY

INDY

INDY



INDY
INNOVATIVE . NEW . DESIGNED . YOUNG .



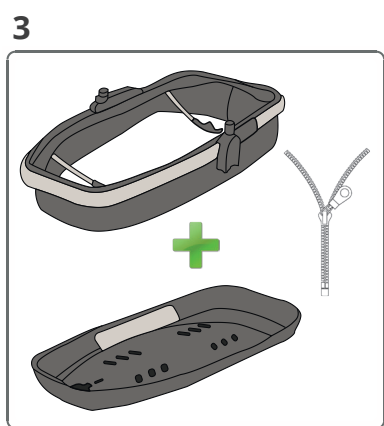
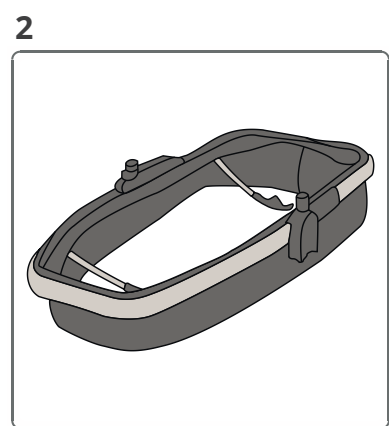
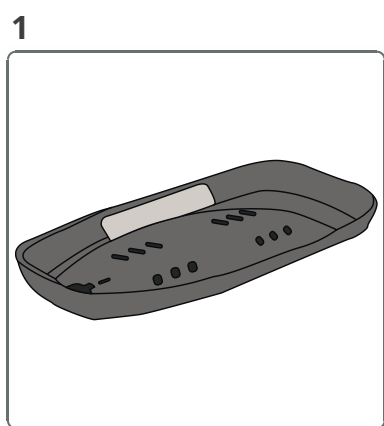
RELAX

www.gesslein-indy.de



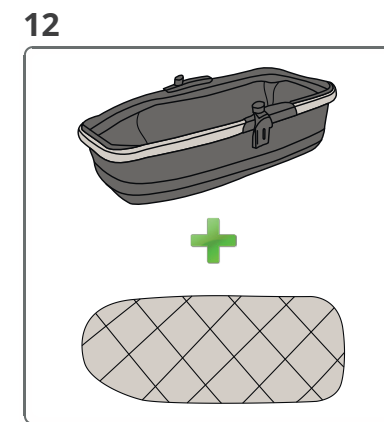
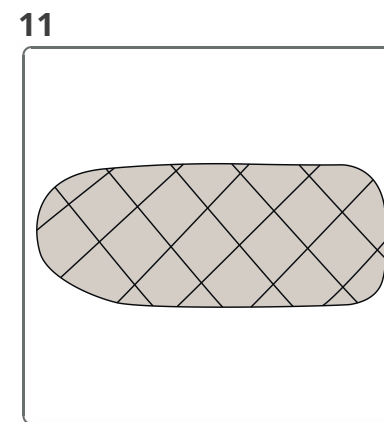
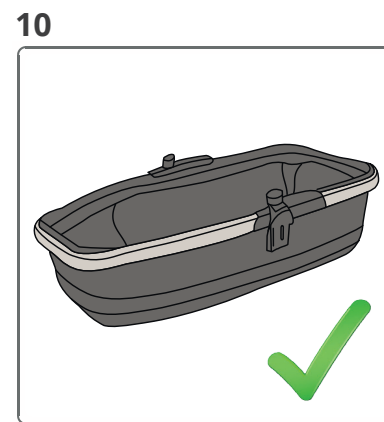
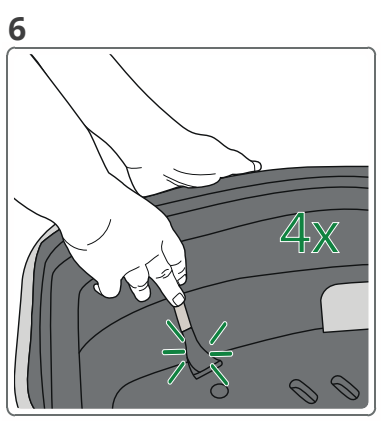
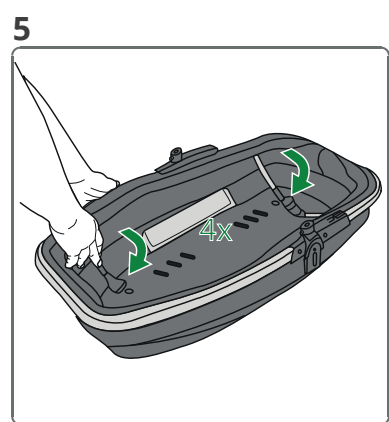
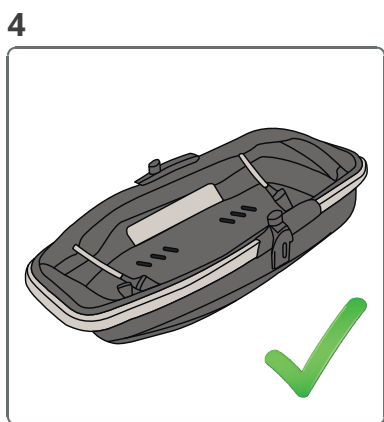
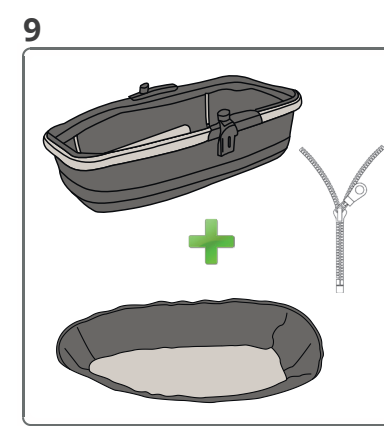
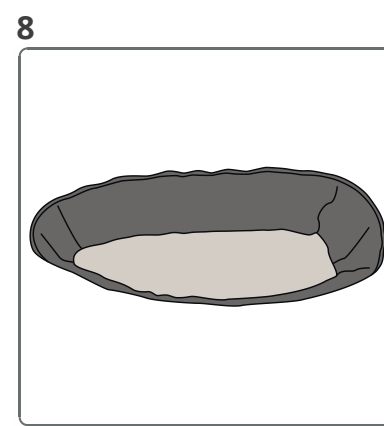
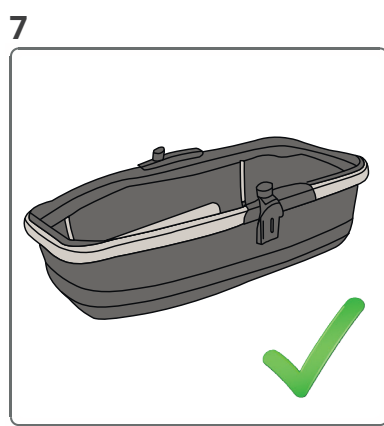
1-27

INDY



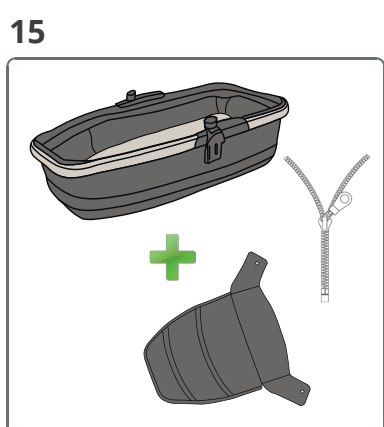
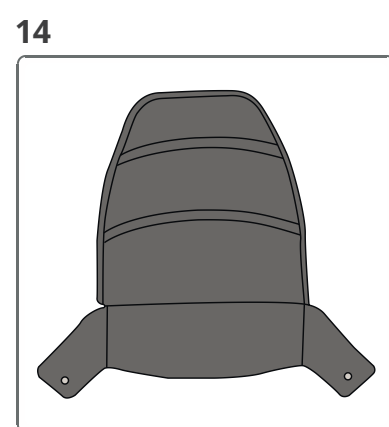
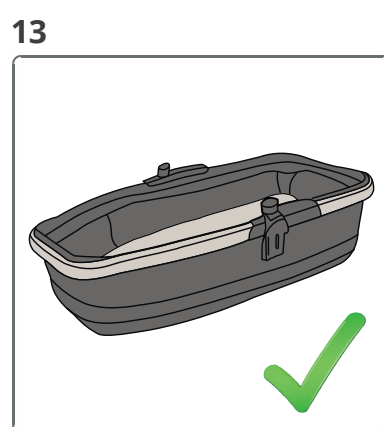
1-27

INDY



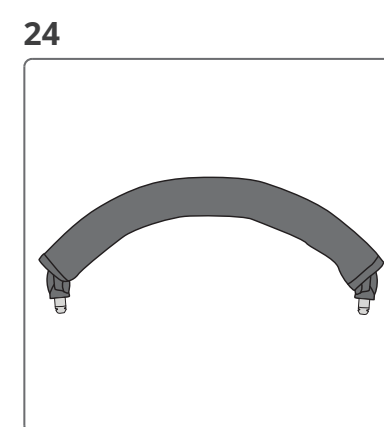
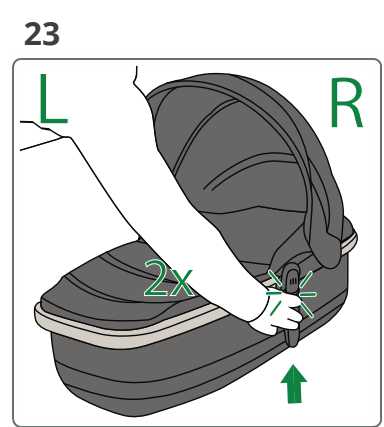
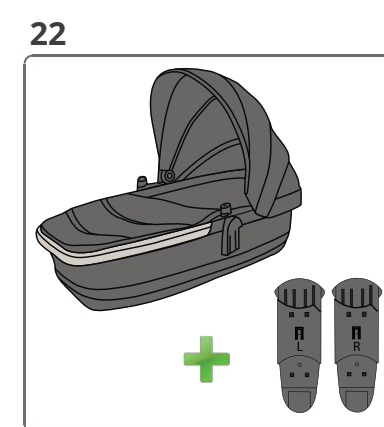
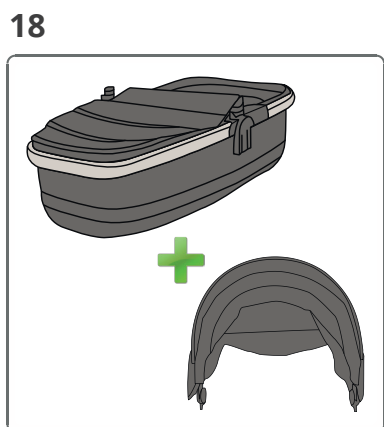
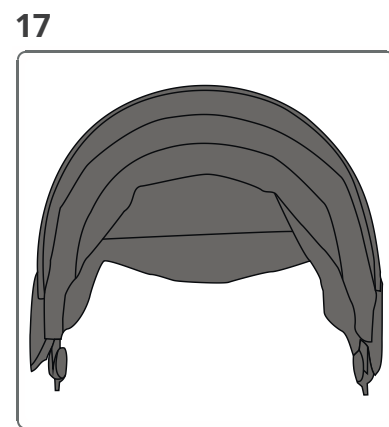
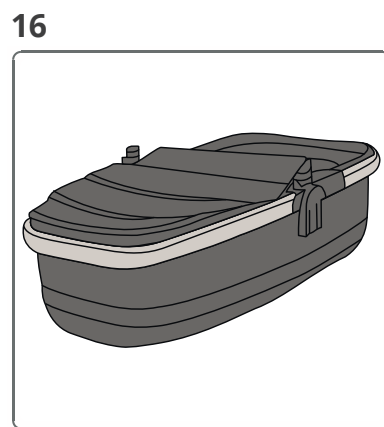
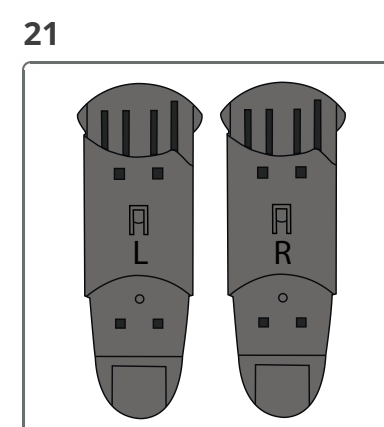
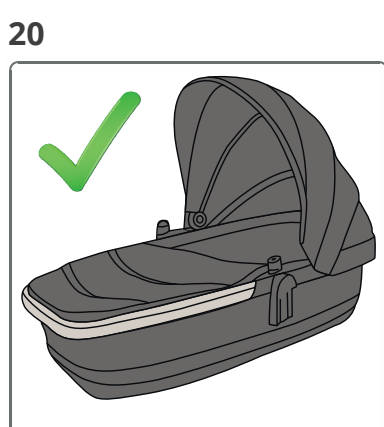
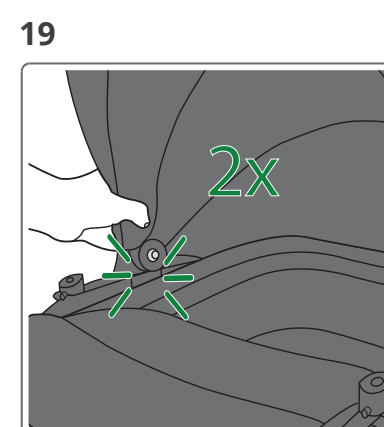
1-27

INDY



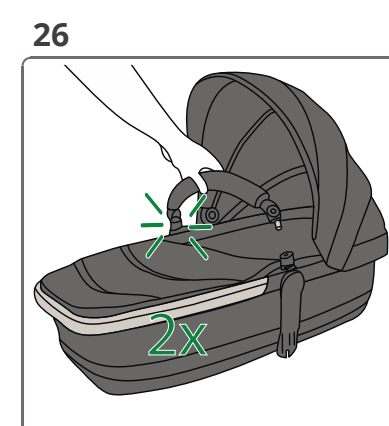
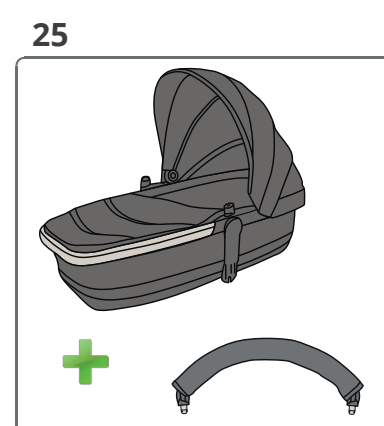
1-27

INDY



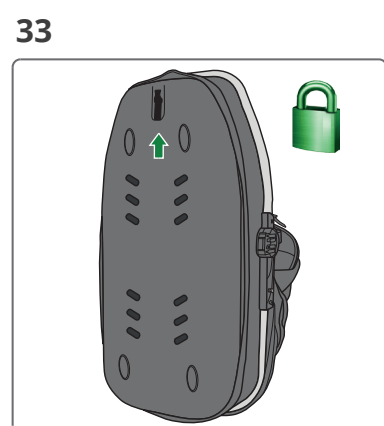
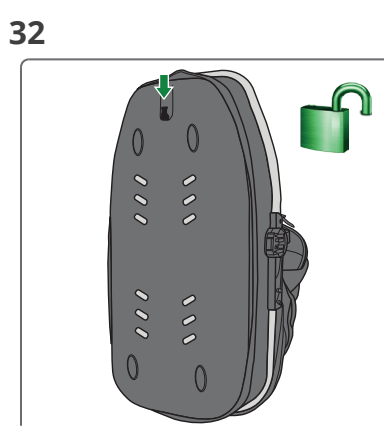
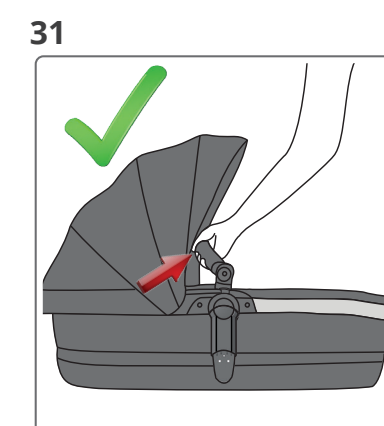
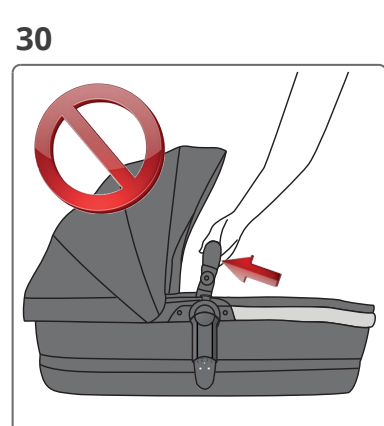
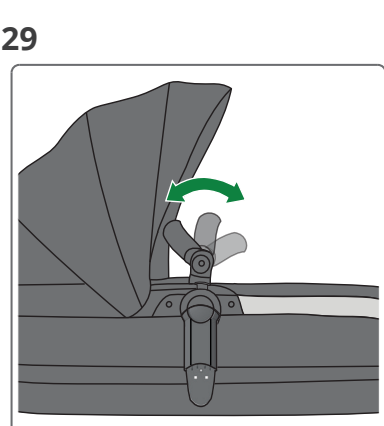
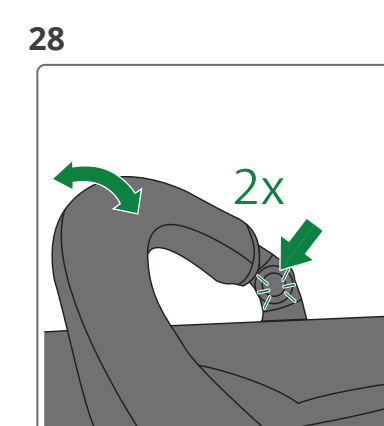
1-27

INDY



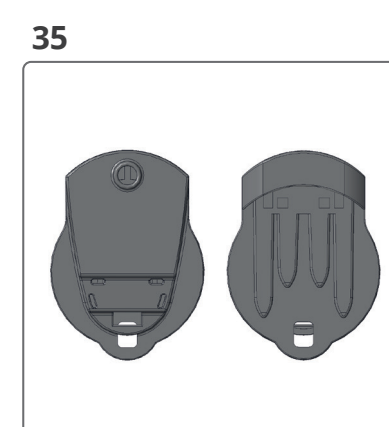
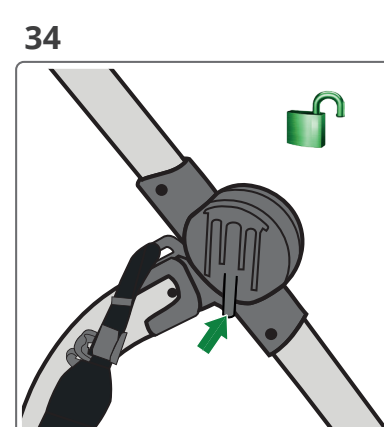
28-33

INDY



34-46

INDY



34-46

INDY

