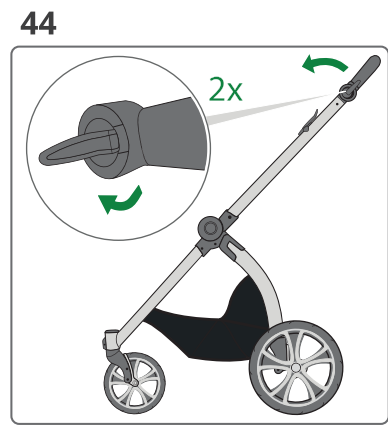
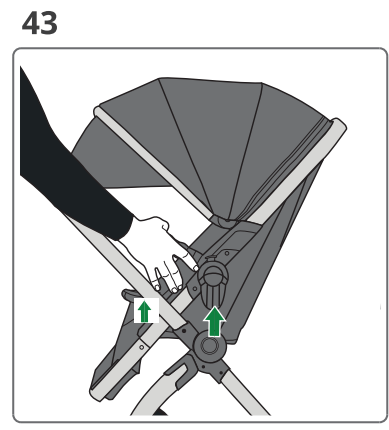
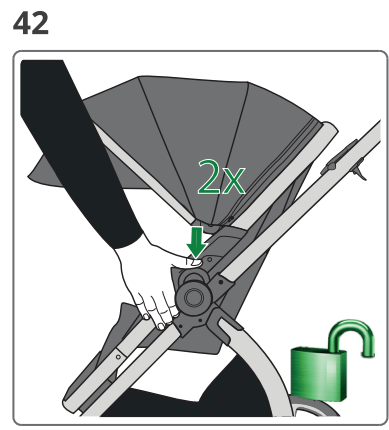




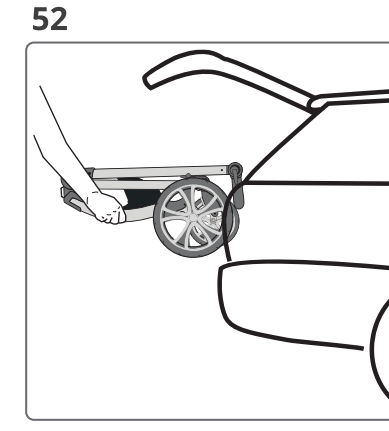
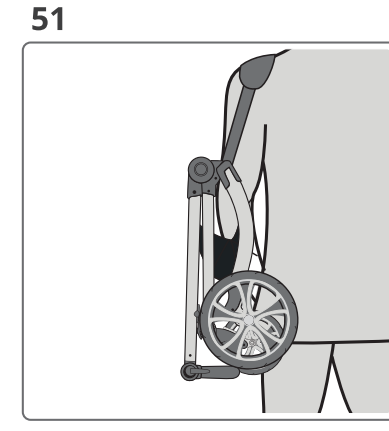
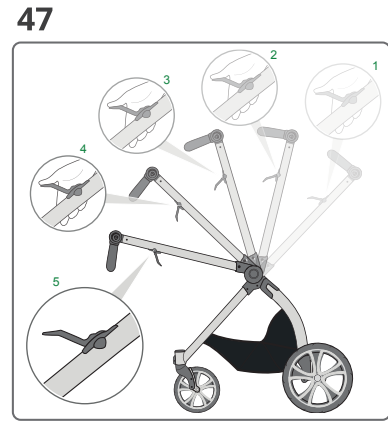
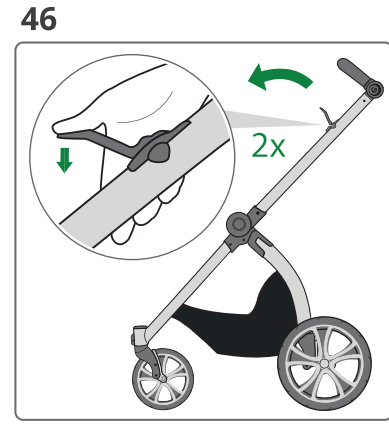
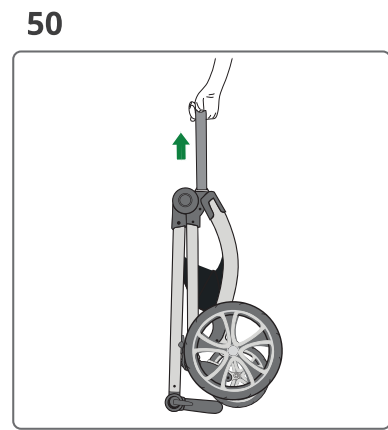
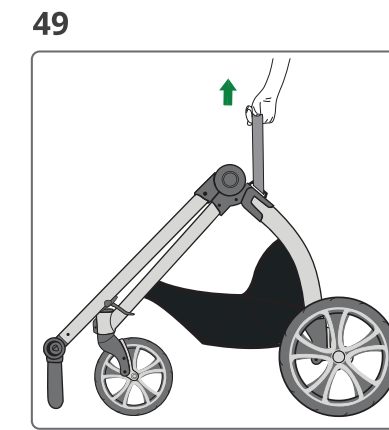
42-52

INDY

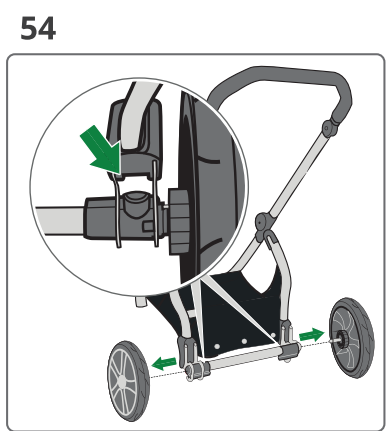
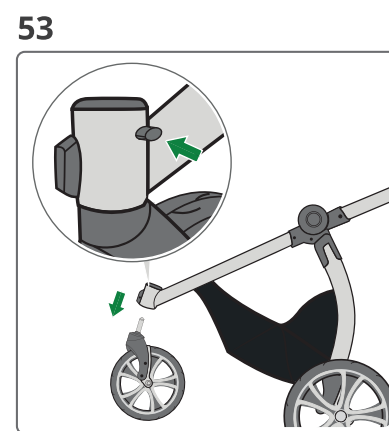


42-52

INDY



INDY



INDY
INNOVATIVE . NEW . DESIGNED . YOUNG .

INDY
INNOVATIVE . NEW . DESIGNED . YOUNG .

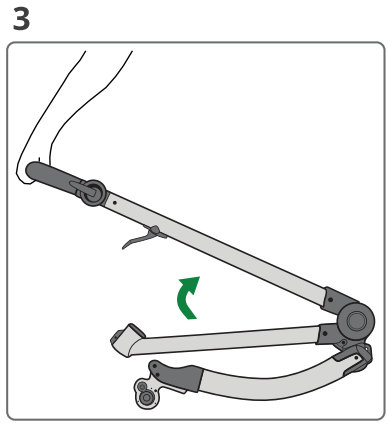
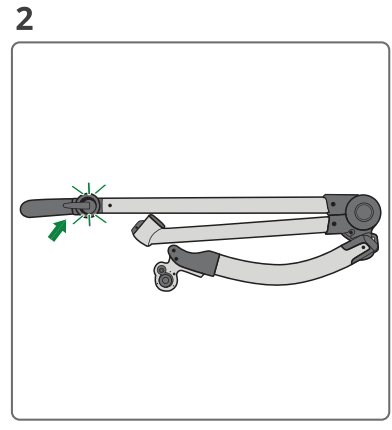
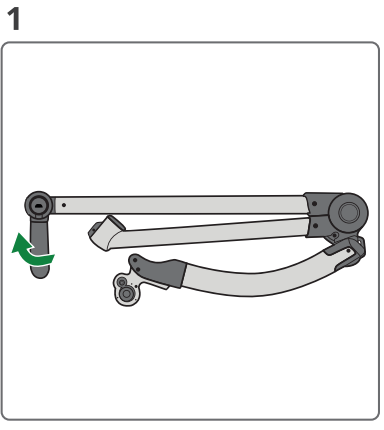


ACTIVE
www.gesslein-indy.de



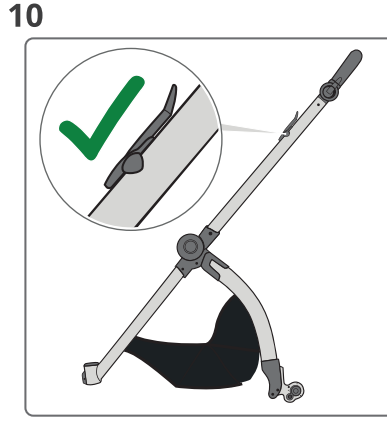
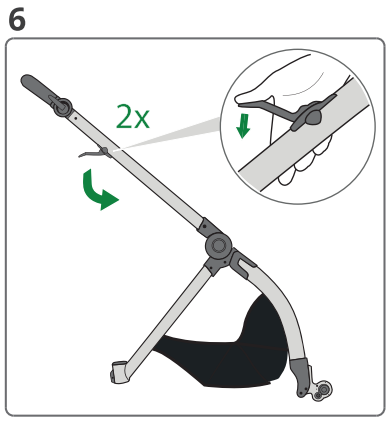
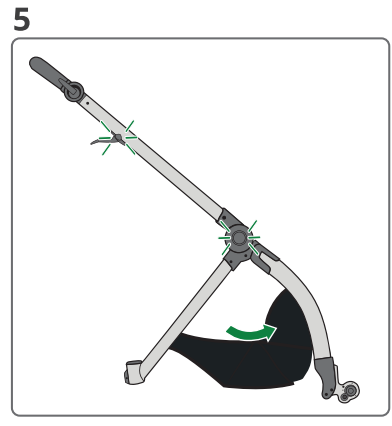
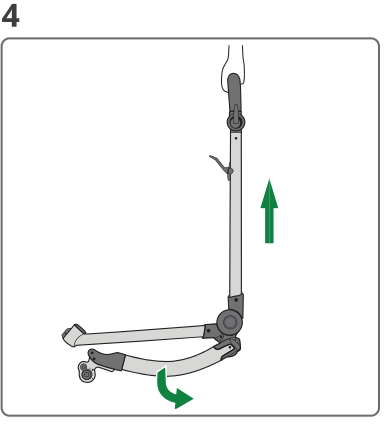
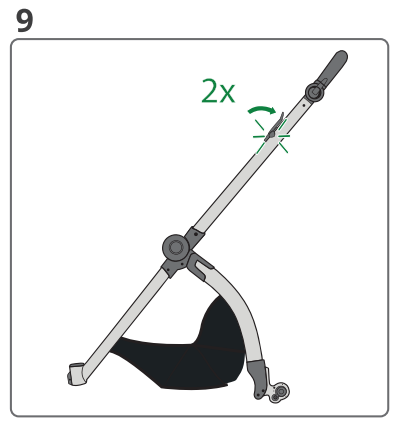
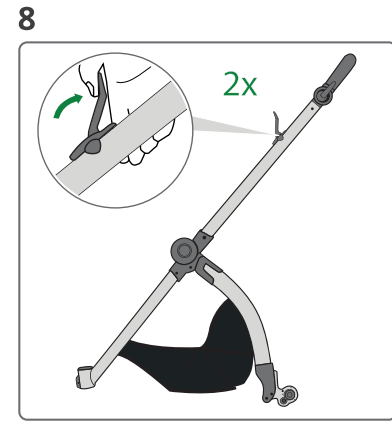
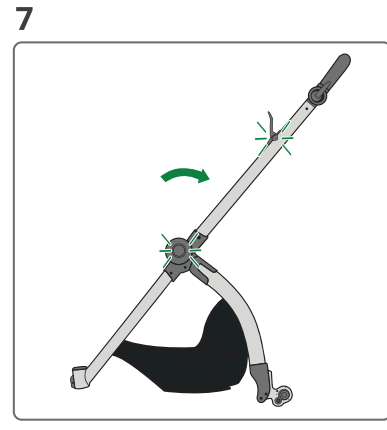
1-17

INDY



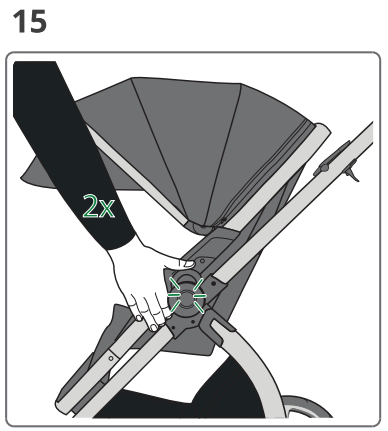
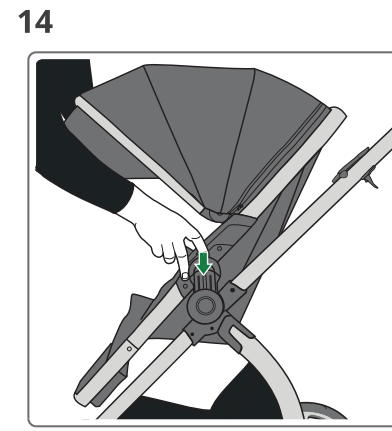
1-17

INDY



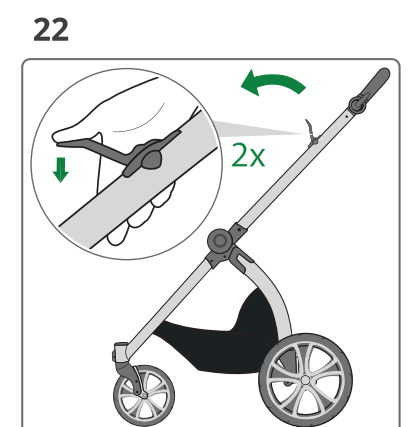
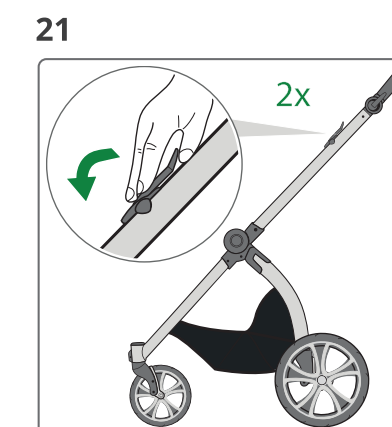
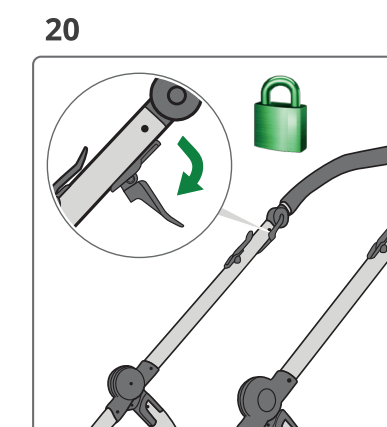
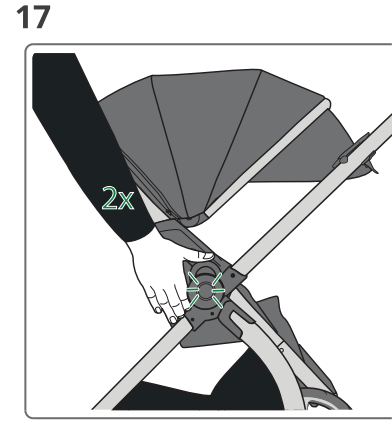
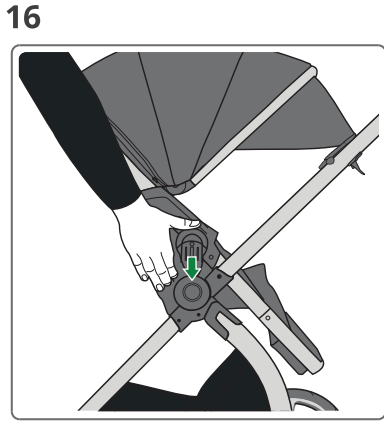
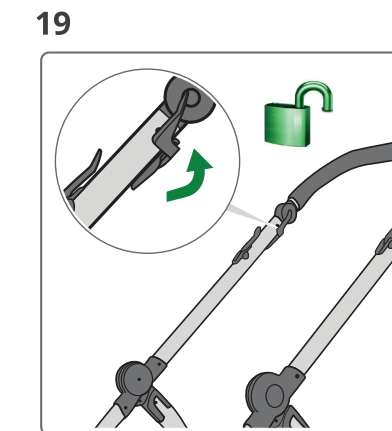
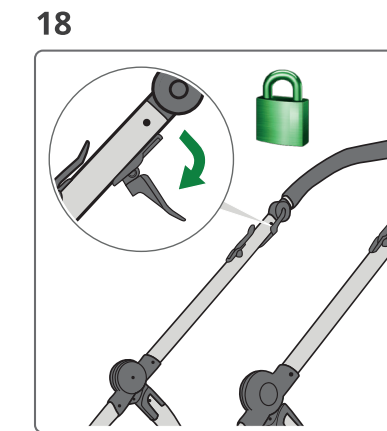
1-17

INDY



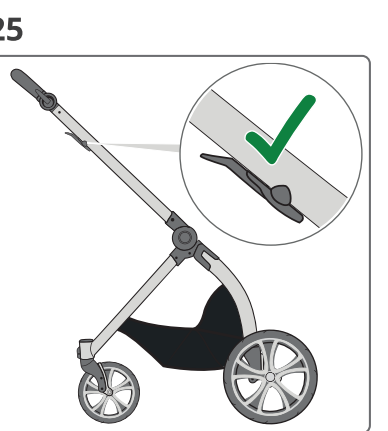
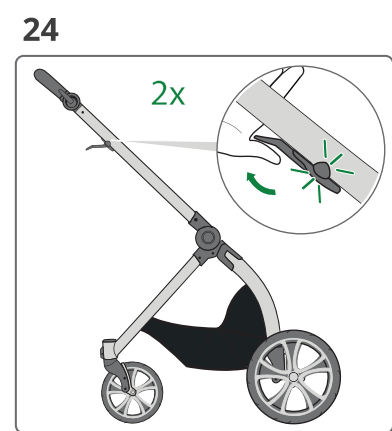
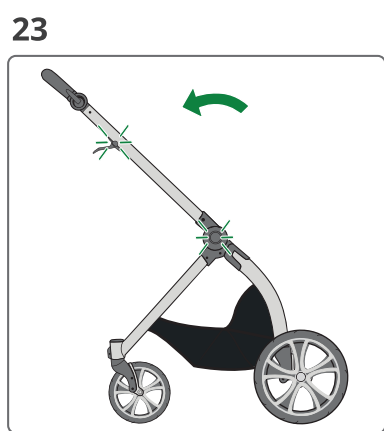
18-31

INDY



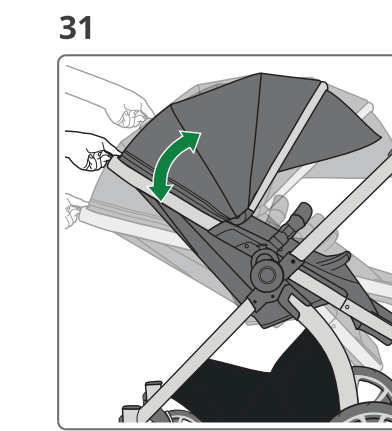
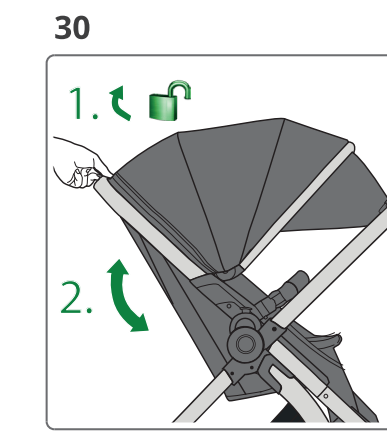
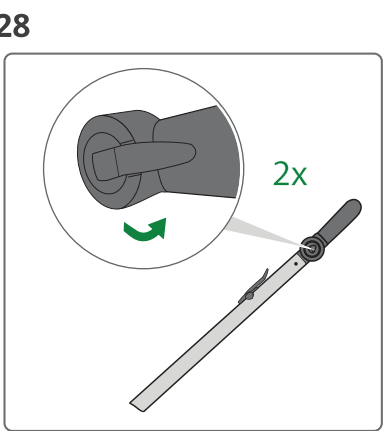
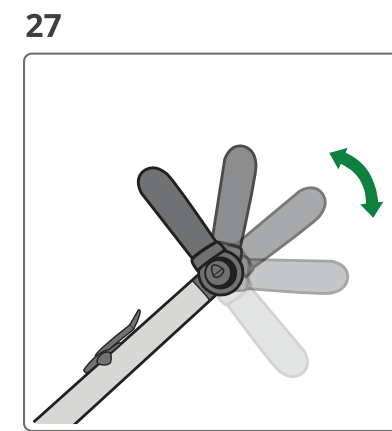
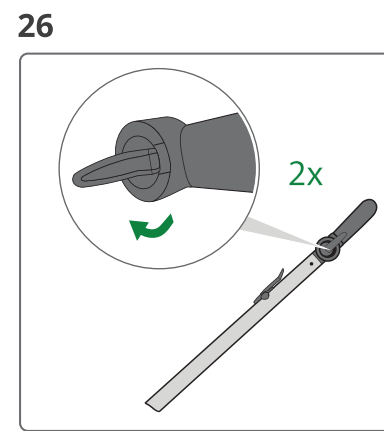
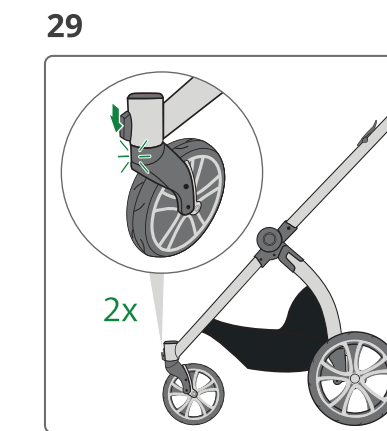
18-31

INDY



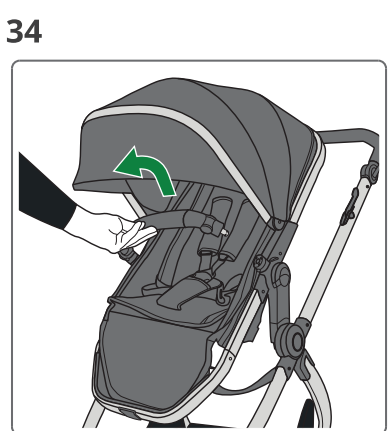
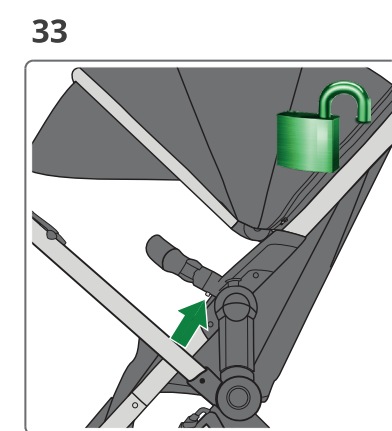
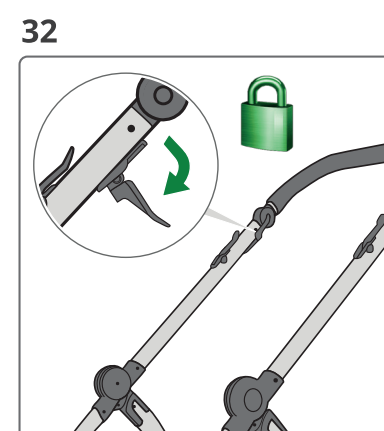
18-31

INDY



32-36

INDY



37-41

INDY

